

Please read these instructions carefully before installing and using the product!



1. PRODUCT INTRODUCTION

1.1 Multi-function charging case (15 /20 Bay) is designed to charge and store tablets, iPad, cell phones etc. It is predominantly used in schools, airports, railway stations, hotels, bars, residential establishments and so on where a great number of electrical devices need to be charged and stored simultaneously.

1.2 PS01A series are equipped with Mean Well® PFC function series.

1.3 The product adopts internal Ultra low Ron MOSFET current limit IC + DCP controller and current limit IC, which can automatically detect Apple, Samsung, or other compatible devices, and take different measures of charging mode respectively, while precisely limit the charging current.

The output interface of the product is international USB2.0, it Support:

Apple® Devices fast charging (Apple® 2.1A / 2.4A mode)

Samsung Galaxy Tab Devices Fast Charging

BC1.2 & YD/T 1591-2009 Charging Spec

1.4 Cooling fan significantly reduce the temperature of devices during charging.

1.5 LED indicates working status.

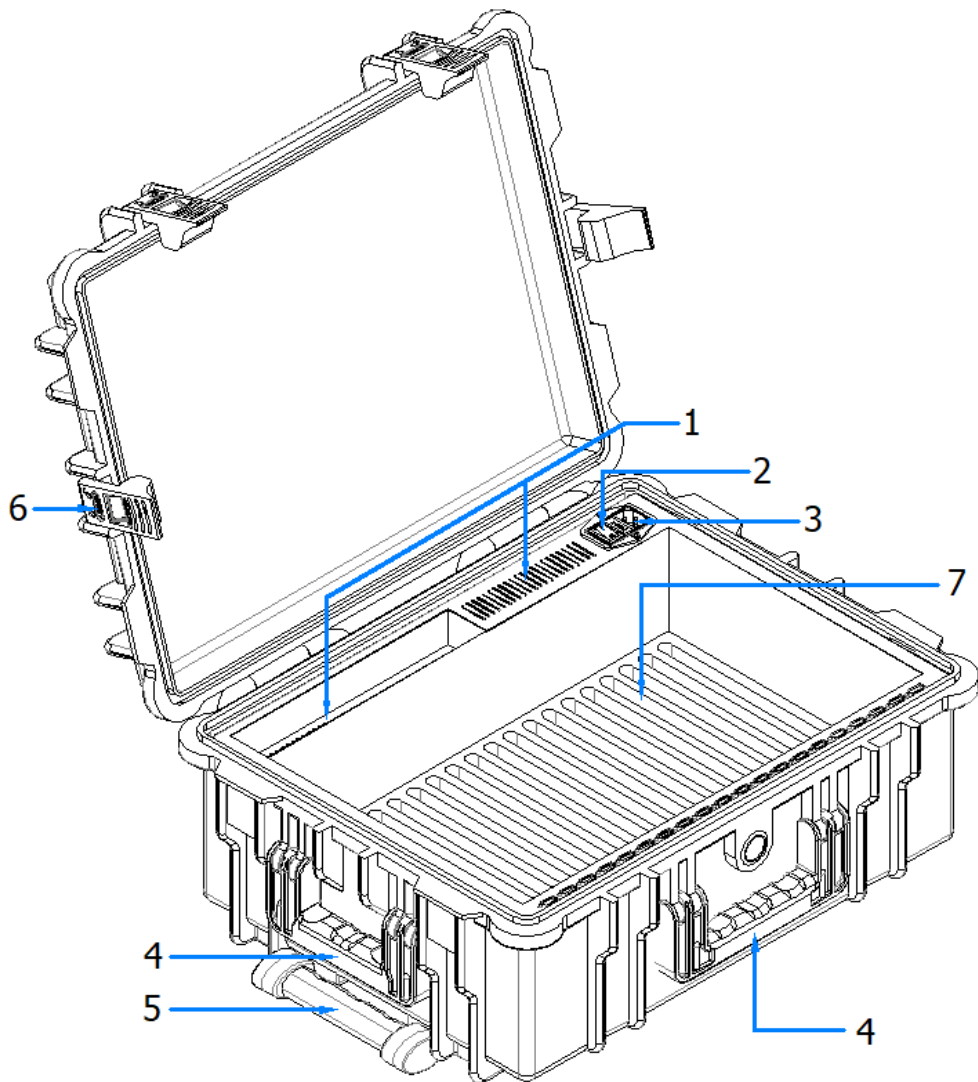
1.6 Two easy glide wheels and a retractable pull handle, make it easy to move around.

1.7 Charge up to 15/20 iPads / tablets at the one time, screen size: Up to 10.5-inch iPad Pro.

2. SPECIFICATION

Model	PS01A-15U	PS01A-20U
Input	100-240V AC 50/60Hz 4A	
Fuse	T10AL/250V	
Standard	UL/CUL62368-1, EN62368-1, AS/NZS62368-1	
LED indicator	Green: standby or charging is complete	Red: in charging
Protection	Over voltage, over current, short circuit, over temperature	
Output	5V DC 2.4A * 15ports	5V DC 2.4A * 20ports
Bay Dimensions(mm)	18 (W)175(H) 260(D) mm	13 (W)175(H) 260(D) mm
Product Dimension(mm)	440W550H240D	
Net Weight(kg)	11.2	
Working Environment	Working temperature: 0°C - 40°C; Storage: -20°C - 50°C Working humidity: 10% - 95%	

3. DIAGRAM



1. Vents
2. Switch
3. AC inlet
4. Handle
5. Retractable handle
6. Latch Locks
7. Slot

4. HOW TO USE

- 4.1 Lay charging case on floor or table horizontally, open and lift the cover up.
- 4.2 Plug in power cord, turn on switch.
- 4.3 Place devices into each slot, connect devices to the product with USB cable, start charging.

5. SAFETY WARNING

- 5.1 Wall socket must have a protective ground wire;
- 5.2 Please don't frequently switch on/off the product, the interval should be 5 minutes or more;
- 5.3 Make sure the cover is open and lifted up when charge devices. Do not block the vents.
- 5.4 Please don't disassemble, modify the product, please don't use it in high temperature and humid environment or in water;
- 5.5 Maintenance and repairs should always be performed by qualified professional technicians.
- 5.6 When not in use, please unplug the product;
- 5.7 Make sure there is no liquid, flammable, explosive or debris around.

6. ORDINARY MALFUNCTION AND REMOVAL

The product can't charge devices:

6.1 LEDs don't light up

- a. Check if power cord is connected properly.
- b. Check if the switch is on.
- c. Use another power cord.

6.2 LEDs light up :

- a. Check if USB cable is connected properly.
- b. Use another USB-C cable.

If above methods cannot correct the fault, please contact the dealer.